



Process Engineering Services

DIVERSE EXPERIENCE

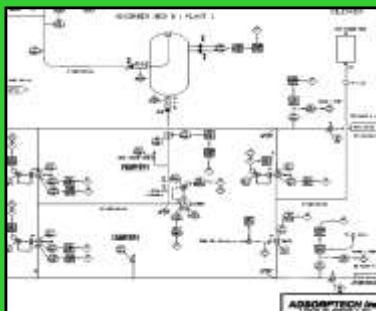
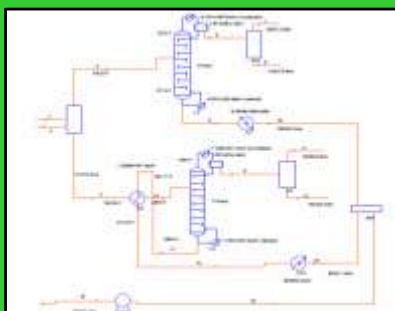
Adsorptech has the skills and experience to support your projects with process design and systems engineering. Our engineering personnel have process design and development experience in refinery, petrochemical, industrial gases, HYCO processes, adsorption separations, systems integration and utility system design.

PROCESS DESIGN

- **Feasibility studies**, preliminary or detailed, including preparation of Process Flow Diagrams (PFD's), **heat and material balances**, and project **costing**
- **Process simulation and optimization** using commercial simulator and other in-house tools
- **Revamp, de-bottleneck and troubleshoot** planning and execution of existing units
- **Integration** of process sub-systems
- Process **re-rating** of existing equipment for new service
- **Tools** for quick process estimation, marketing and proposal preparation

SYSTEMS ENGINEERING

- Preparation of detailed Piping and Instrumentation Diagrams (**P&IDs**), **utility, effluent and flare** summaries, including **HAZOP** preparation and management
- **System and equipment design** including adsorption systems, cryogenic storage, flare systems, exchanger ratings, fractionation towers etc.
- Preparation of **instrument datasheets, process specifications and sizing** for major and minor equipment, control and safety valves
- **Piping system sizing** and hydraulic calculations



UNIT	DESCRIPTION	STATUS
101	Adsorption Column	Operating
102	Heat Exchanger	Operating
103	Storage Tank	Operating
104	Flare System	Operating
105	Utility System	Operating

USA Offices

Sales
22 Stonebridge Rd
Hampton, NJ 08827
sales@adsorptech.com
+1-908-735-9528

Headquarters
452 Lincoln Blvd
Middlesex, NJ 08846
info@adsorptech.com
+1-732-356-1000

www.adsorptech.com